

# Product data sheet

## Characteristics

# XY2CEDC190

Dual emergency stop rope pull switch,  
Telemecanique rope pull switches XY2C, e  
2x(1NC+1NO), Pg13.5, flush pb



Product availability: Non-Stock - Not normally stocked in distribution facility

Price\*: 639.00 USD



### Main

Range of product	Telemecanique Emergency stop rope pull switches XY2C
Product or Component Type	Dual emergency stop rope pull switch
Device short name	XY2CED

### Complementary

Number of cables	2
Bellow material	Silicone
Body Material	Zamak
Cover Material	Stainless steel
Reset	By flush push-button
Contacts type and composition	2 x (1 NC + 1 NO)
Contact operation	Slow-break
Trigger cable anchor point	RH and LH sides
Tightening torque	7.08...10.62 Lbf.In (0.8...1.2 N.m)
Marking	CE
Mechanical durability	60000 Cycles
Distance between cable supports	9.84...16.40 Ft (3...5 m)
[Ithe] conventional enclosed thermal current	10 A
Terminals description ISO n°1	(13-14)NO (21-22)NC
Product Weight	4.19 Lb(US) (1.9 kg)
Compatibility code	XY2CED

## Environment

Standards	EN/IEC 60204-1 EN/ISO 13850 CSA C22.2 No 14 Machinery directive 2006/42/EC EN/IEC 60947-5-1 EN/IEC 60947-5-5 UL 508 Work equipment directive 2009/104/EC
Protective treatment	TC
Ambient Air Temperature for Operation	-13...158 °F (-25...70 °C)
Ambient Air Temperature for Storage	-40...158 °F (-40...70 °C)

## Ordering and shipping details

Category	22441 - LIMIT SWITCHES,CABLE PULL
Discount Schedule	T
GTIN	3606480880056
Nbr. of units in pkg.	1
Package weight(Lbs)	4.74 Lb(US) (2.15 kg)
Returnability	No
Country of origin	MA

## Packing Units

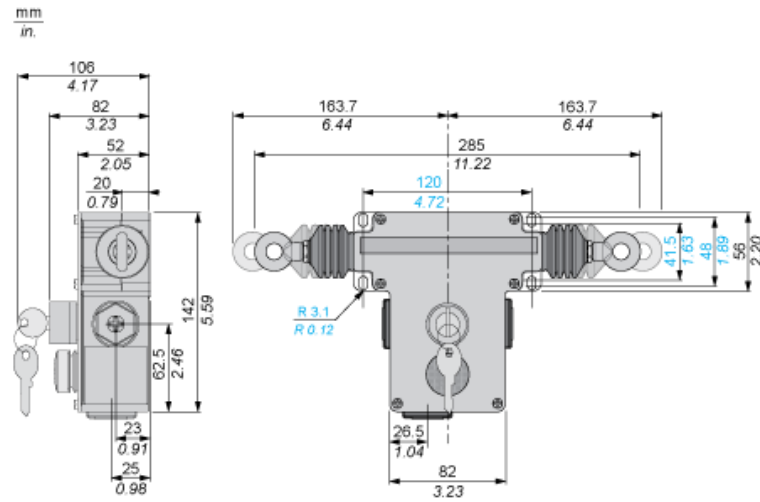
Unit Type of Package 1	PCE
Package 1 Height	4.02 In (10.2 cm)
Package 1 width	6.26 In (15.9 cm)
Package 1 Length	12.17 In (30.9 cm)

## Offer Sustainability

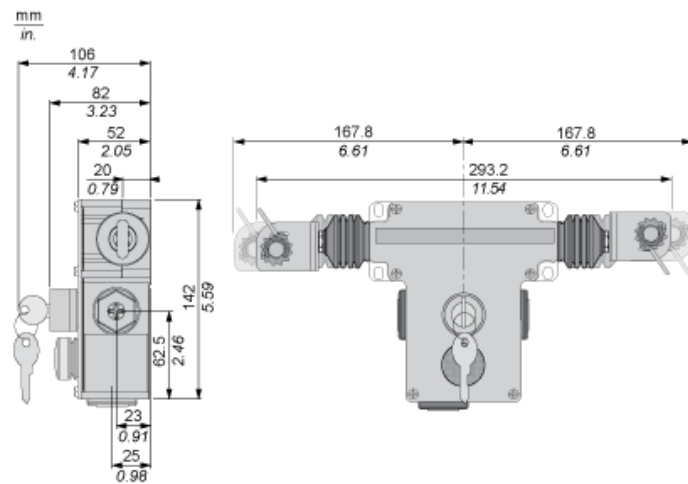
Sustainable offer status	Green Premium product
California proposition 65	WARNING: This product can expose you to chemicals including: Diisononyl phthalate (DINP), which is known to the State of California to cause cancer, and Di-isodecyl phthalate (DIDP), which is known to the State of California to cause birth defects or other reproductive harm. For more information go to <a href="http://www.P65Warnings.ca.gov">www.P65Warnings.ca.gov</a>
REACH Regulation	<a href="#">REACH Declaration</a>
EU RoHS Directive	Pro-active compliance (Product out of EU RoHS legal scope) <a href="#">EU RoHS Declaration</a>
Mercury free	Yes
RoHS exemption information	<a href="#">Yes</a>
Environmental Disclosure	<a href="#">Product Environmental Profile</a>

Dimensions

Without Tensioner



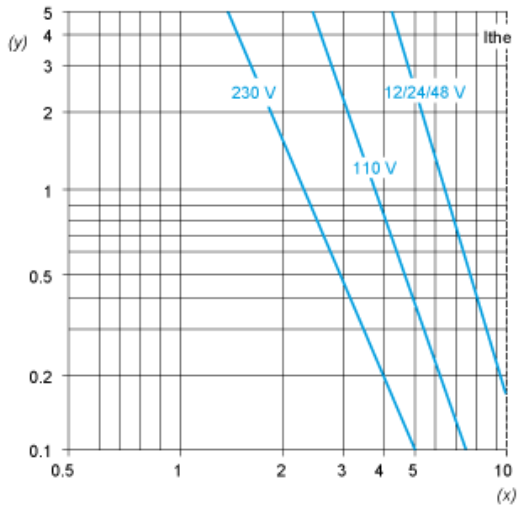
With Tensioners



Electrical Curves

AC Supply 50/60 Hz.  $\sim$  Inductive Circuit

2-pole Contact Block



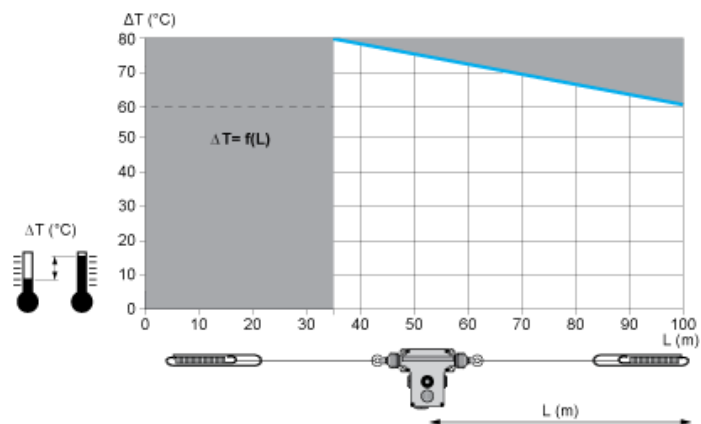
(y) Millions of operating cycles  
(x) Current in A

DC Supply. Power Broken in W for 1 Million Operating Cycles.  $\sim$  Inductive Circuit

Voltage	V	24	48	120
$\sim$	W	13	9	7

Mounting and Clearance

Adjustment Values (With End Spring)



In grey prohibited zone

Product Life Status : Commercialised